



**TECNO ITALIA**

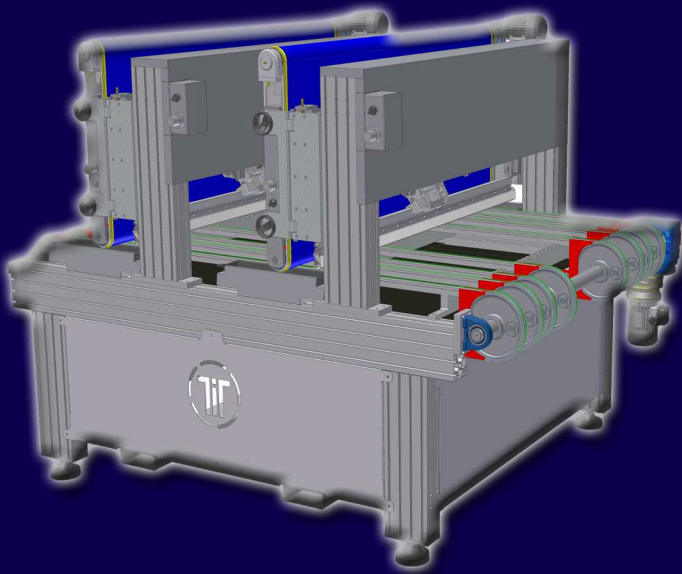
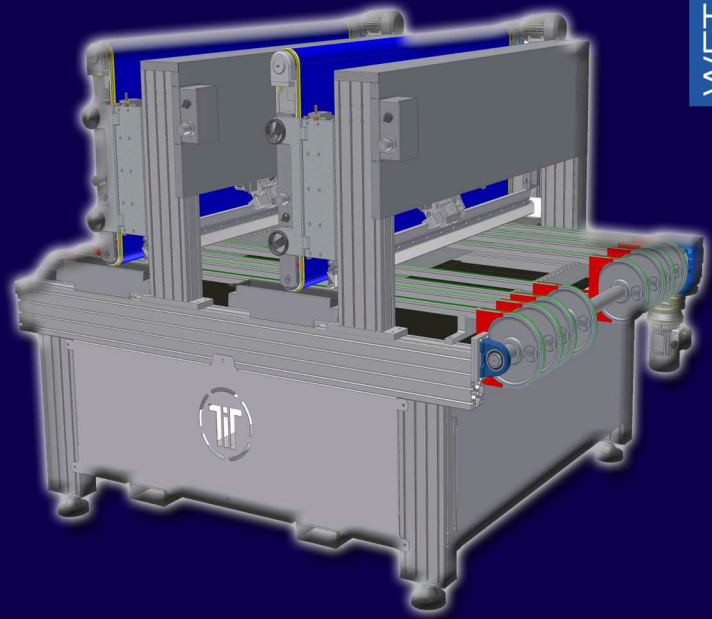


WET VERTICAL TECHNOLOGY

# SILICON VERTICAL 1500

Mantenendo tutti i vantaggi delle tradizionali **Silicon Vertical** il mod. 1500 permette formati di stampa massima fino a 1450x1600mm (a facce) e 1450x1720mm (a random).

Utilizza nastri mod. SV 1500 SMALL normali, aventi sviluppo verticale di 1720mm per 1450mm di larghezza.



Keeping all the advantages of traditional **Silicon Vertical** the mod. 1500 allows maximum sizes up to 1450x1600mm (face by face) and 1450x1720mm (random mode).

It uses normal traditional silicone printing belts mod. 1500 SMALL with a vertical development of 1720mm and 1450mm of useful width.